

DESIGNED	DRAWN	CHECKED
NB	NB	JY



8 RETAIL ALONG FEDERAL - WEST ELEVATION

AS-104 3/32" = 1'-0"



7 RETAIL ALONG FEDERAL - EAST ELEVATION

AS-104 3/32" = 1'-0"



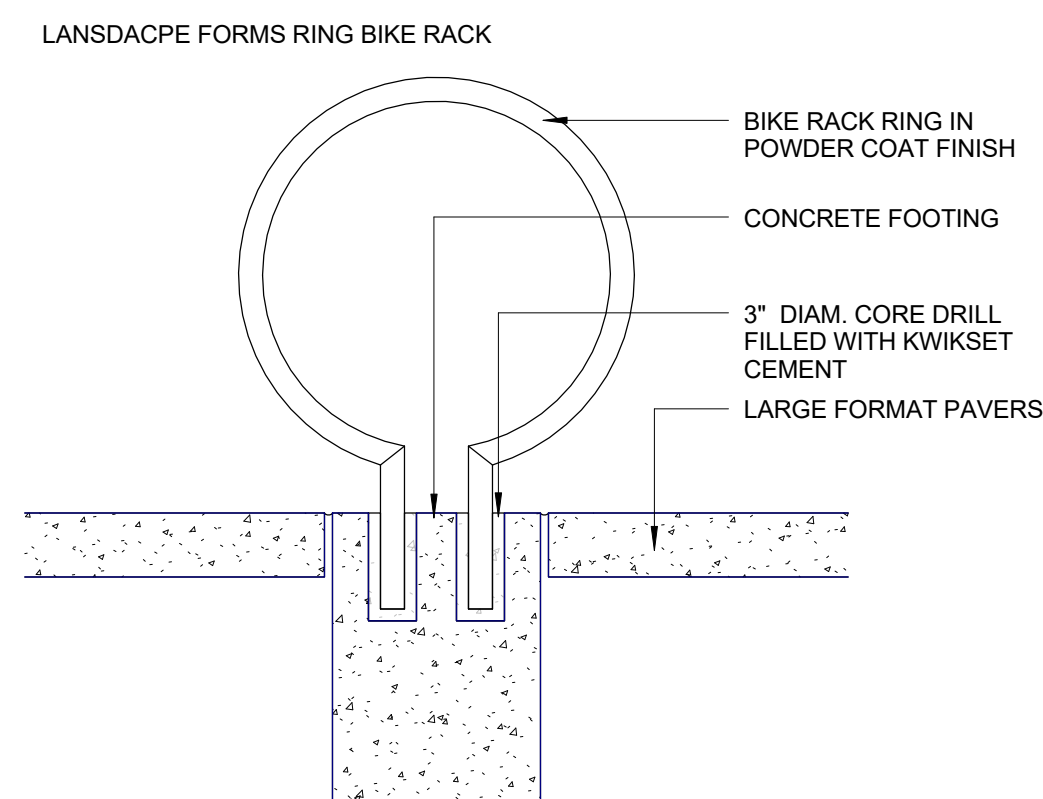
6 RETAIL ALONG FEDERAL - SOUTH ELEVATION

AS-104 3/32" = 1'-0"



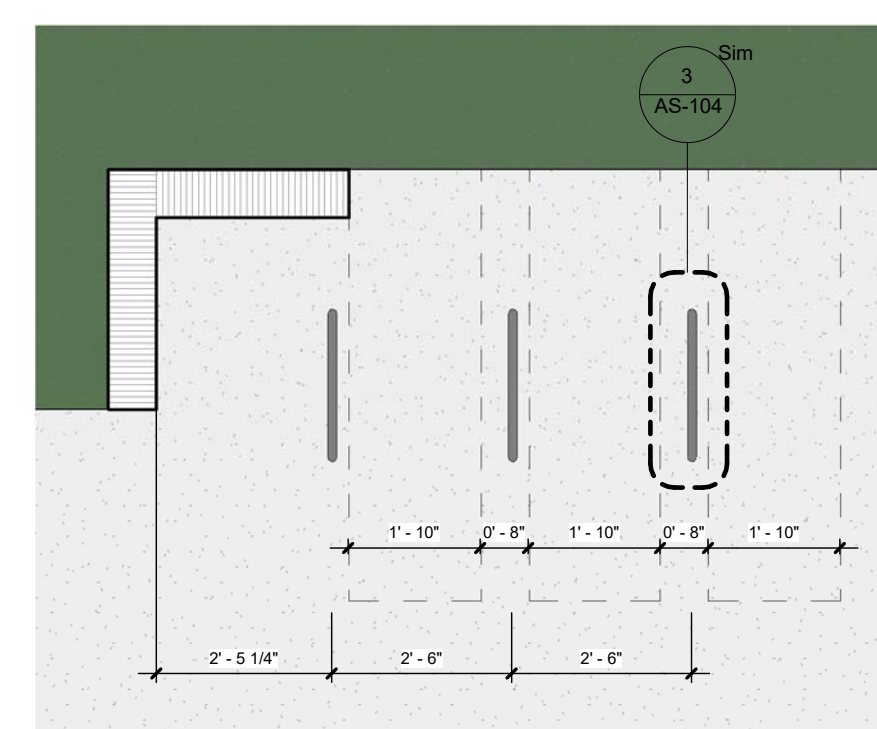
5 RETAIL ALONG FEDERAL - NORTH ELEVATION

AS-104 3/32" = 1'-0"



3 BICYCLE RACK DETAIL

AS-104 1" = 1'-0"



2 BICYCLE RACK - SITE PLAN

AS-104 3/8" = 1'-0"



1 SITE PLAN - RETAIL ALONG FEDERAL

AS-104 3/32" = 1'-0"

REVISIONS

DATE:	COMM:
11.06.15	15004

RIVERWALK PLAZA

1608 SOUTH FEDERAL HIGHWAY
BOYNTON BEACH, FLORIDA 33425

ENLARGED SITE PLAN DETAILS

DRC

11/20/2016 9:55:33 AM